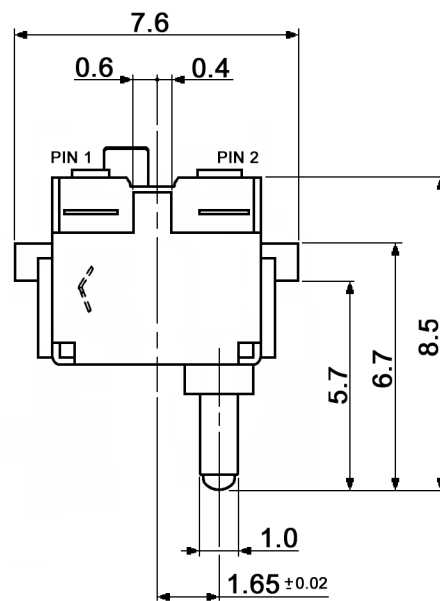
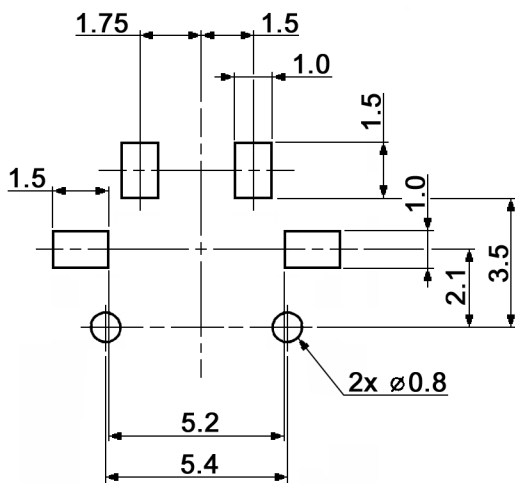
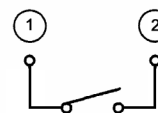


HOLE LAYOUT
TOP VIEW



CIRCUIT DIAGRAM



Compliance: RohS II (2011/65/EU)

Tolerances: up to 10: ±0.2mm above 10-50: ±0.3mm	Date	Name
	04/16	dr
Specifications	06/16	dr
Modifications	Date	Name

DTS 103 CP-R

30 35 65

Page

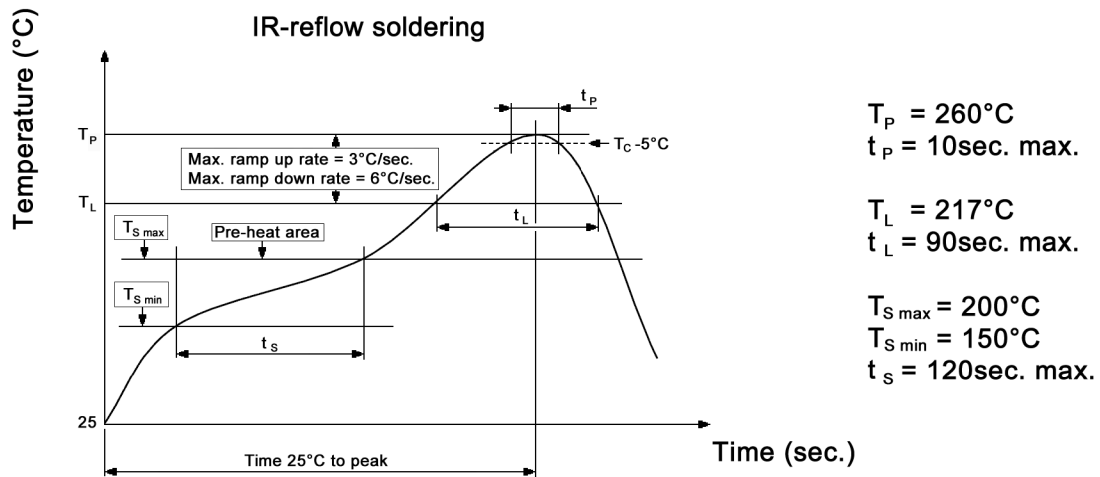
1/2

knitter-switch

Specifications:

Contact rating: 0.1A, 30V DC
Contact resistance: 500mOhm max.
Insulation resistance: 100MOhm min. at 100V DC for 1 minute
Dielectric strength: 100V AC (50/60Hz, 2mA) for 1 minute
Operating temperature: -40°C to +85°C
Mechanical life: 100 000 cycles
Operating force: 20 +/-15gf
Material: Cover: steel, tin plated
 Contact plate: PBS, natural
 Terminal: brass, silver plated
 Case: HTN, black
 Housing: PA46, black
 Slider: LCP, grey

Soldering conditions:



Compliance: RohS II (2011/65/EU)

Tolerances: up to 10: ±0.2mm above 10-50: ±0.3mm		Date	Name	<h1>DTS 103 CP-R</h1>
		04/16	dr	
			knitter-switch	<h2>30 35 65</h2>
Modifications		Date	Name	Page 2/2